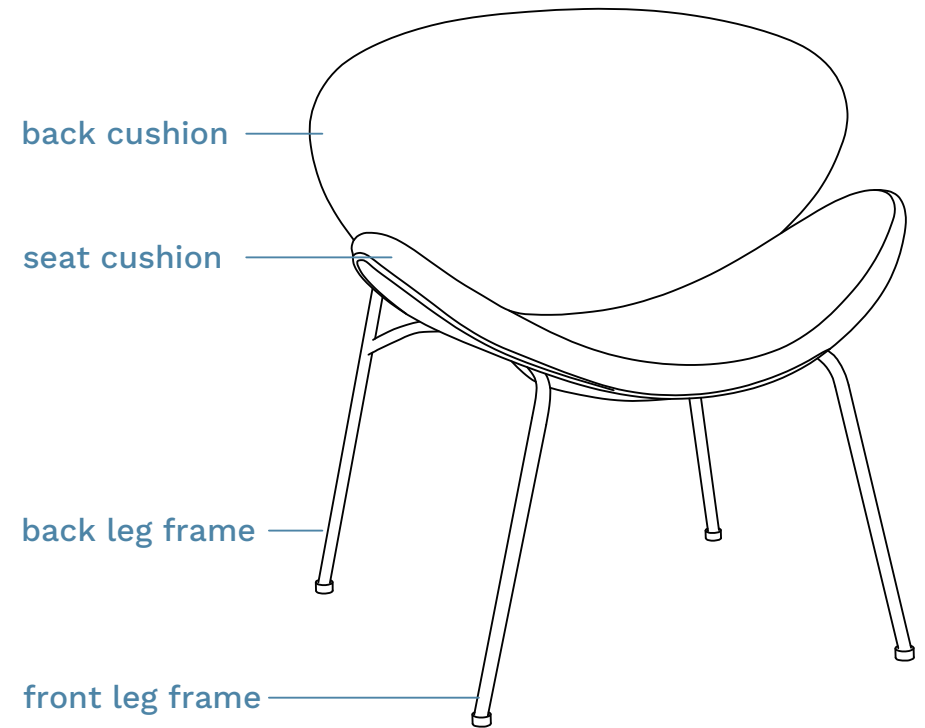
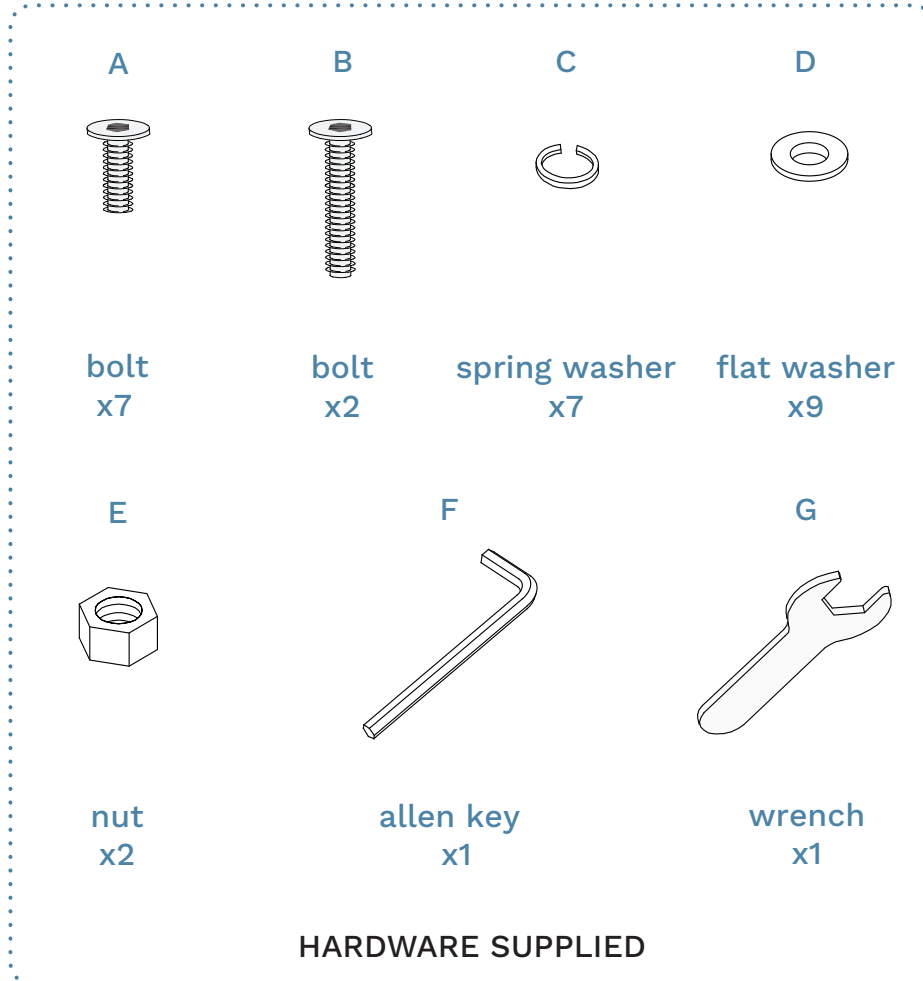


# Apollo

## Occasional Chair

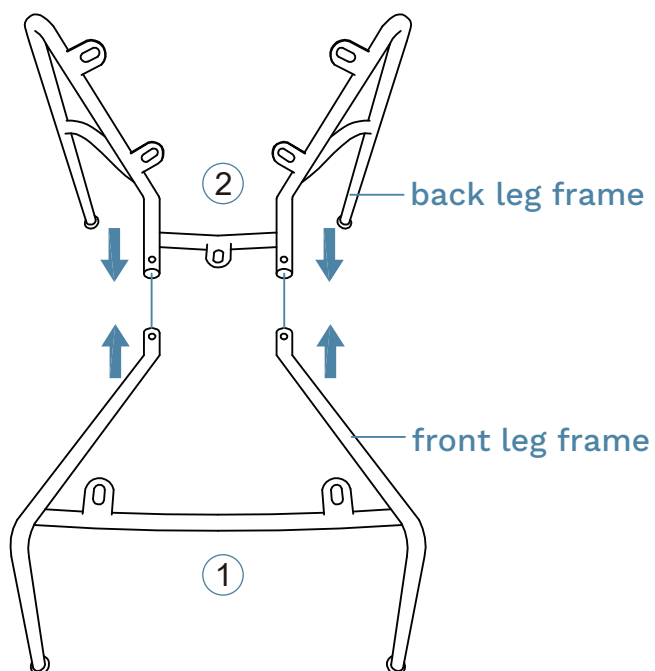
Thank you for your purchase.  
Please follow the instructions below for correct assembly.



# Apollo

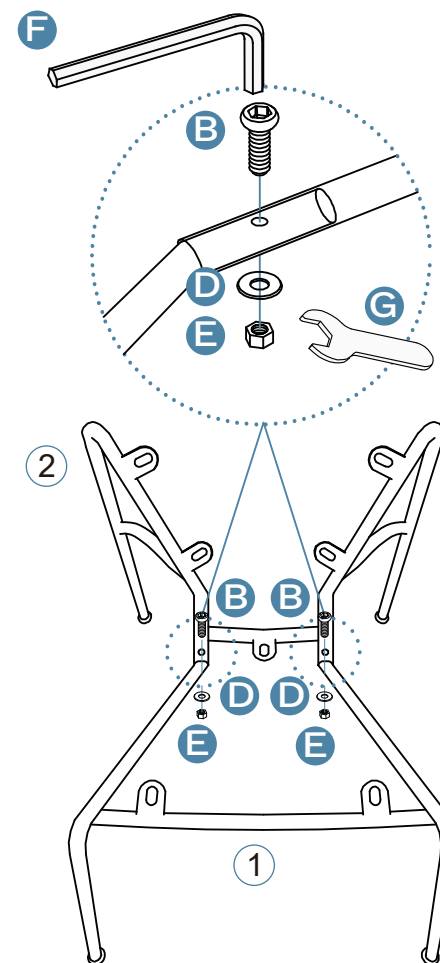
## Occasional Chair

1



Insert the front leg frame [1] into the back leg frame [2].

2

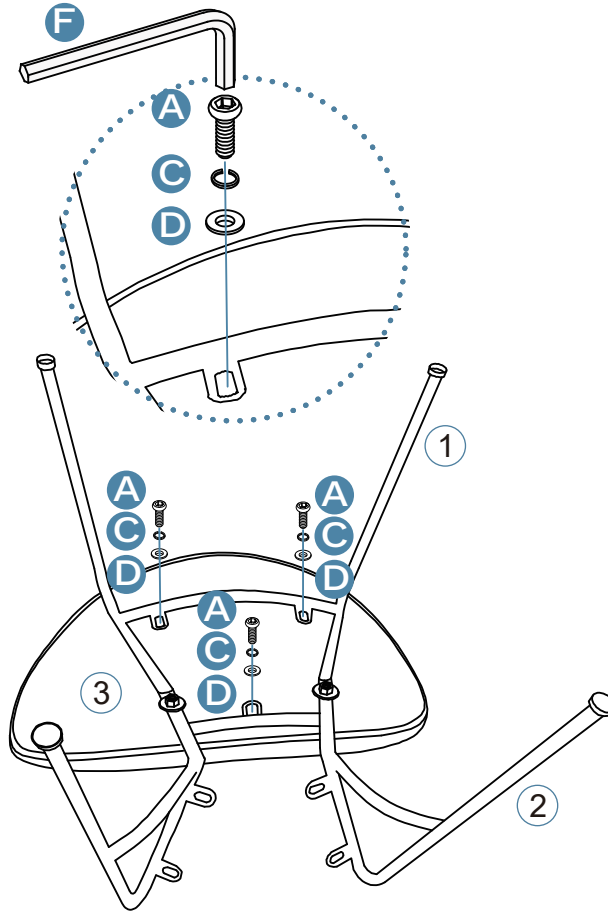


Using 2x bolts (B) and 2x flat washers (D) & 2x nuts (E) connect back leg frame [2] & front leg frame [1] with allen key (F) and wrench (G). Tighten the bolt.

# Apollo

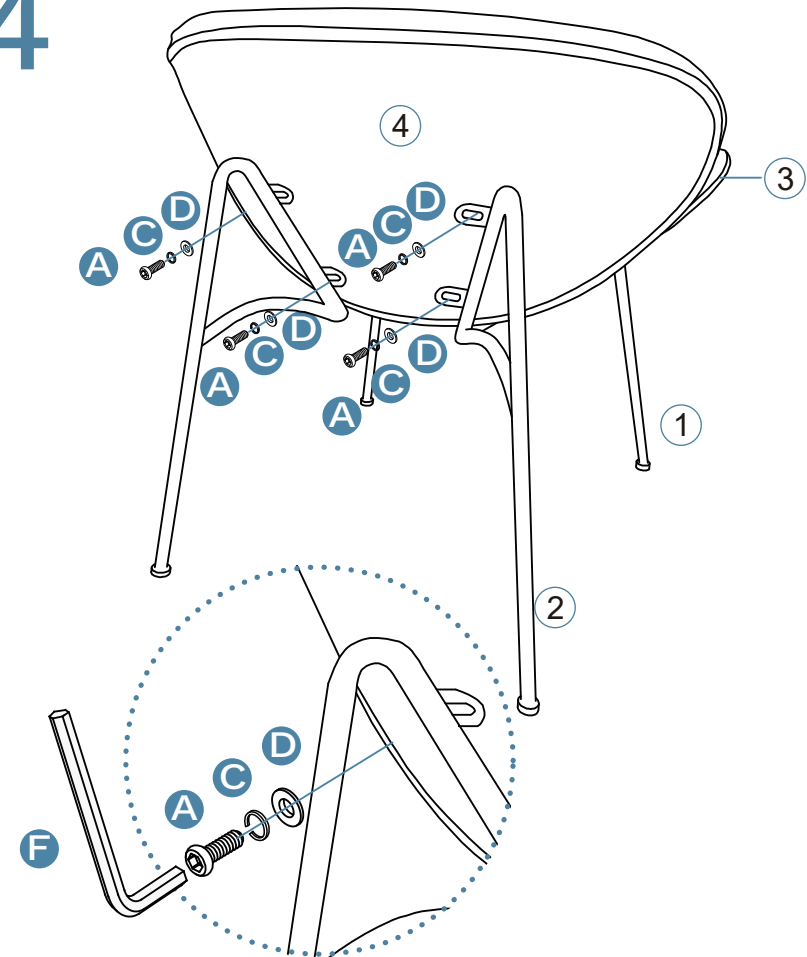
## Occasional Chair

3



Attach the front leg frame [1] to the seat cushion [3] with 3x bolts (A) and 3x spring washers (C) and 3x flat washers (D). Tighten bolts with allen key (F).

4



Attach the back leg frame [2] to the back cushion [4] with 4x bolts (A) and 4x spring washers (C) and 4x flat washers (D). Tighten bolts with allen key (F). You're done, enjoy!